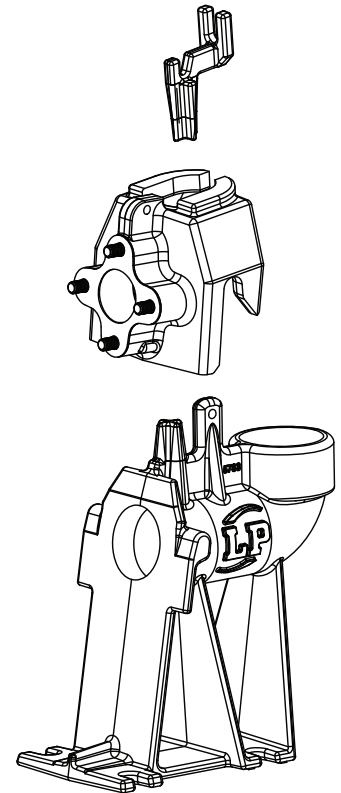
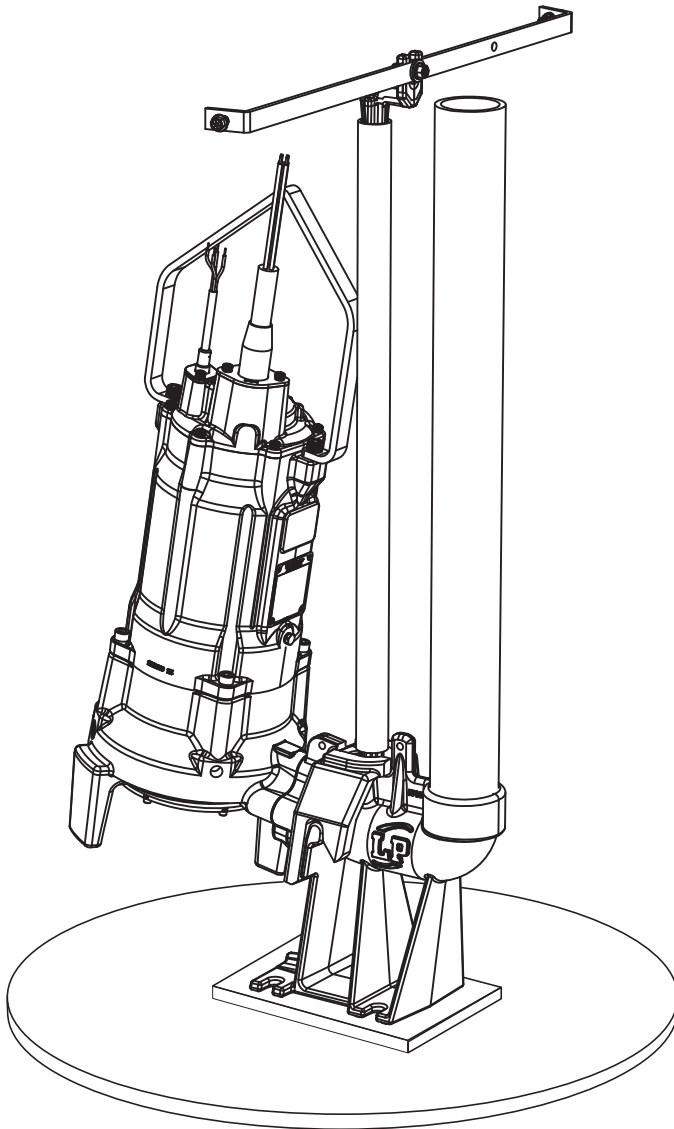
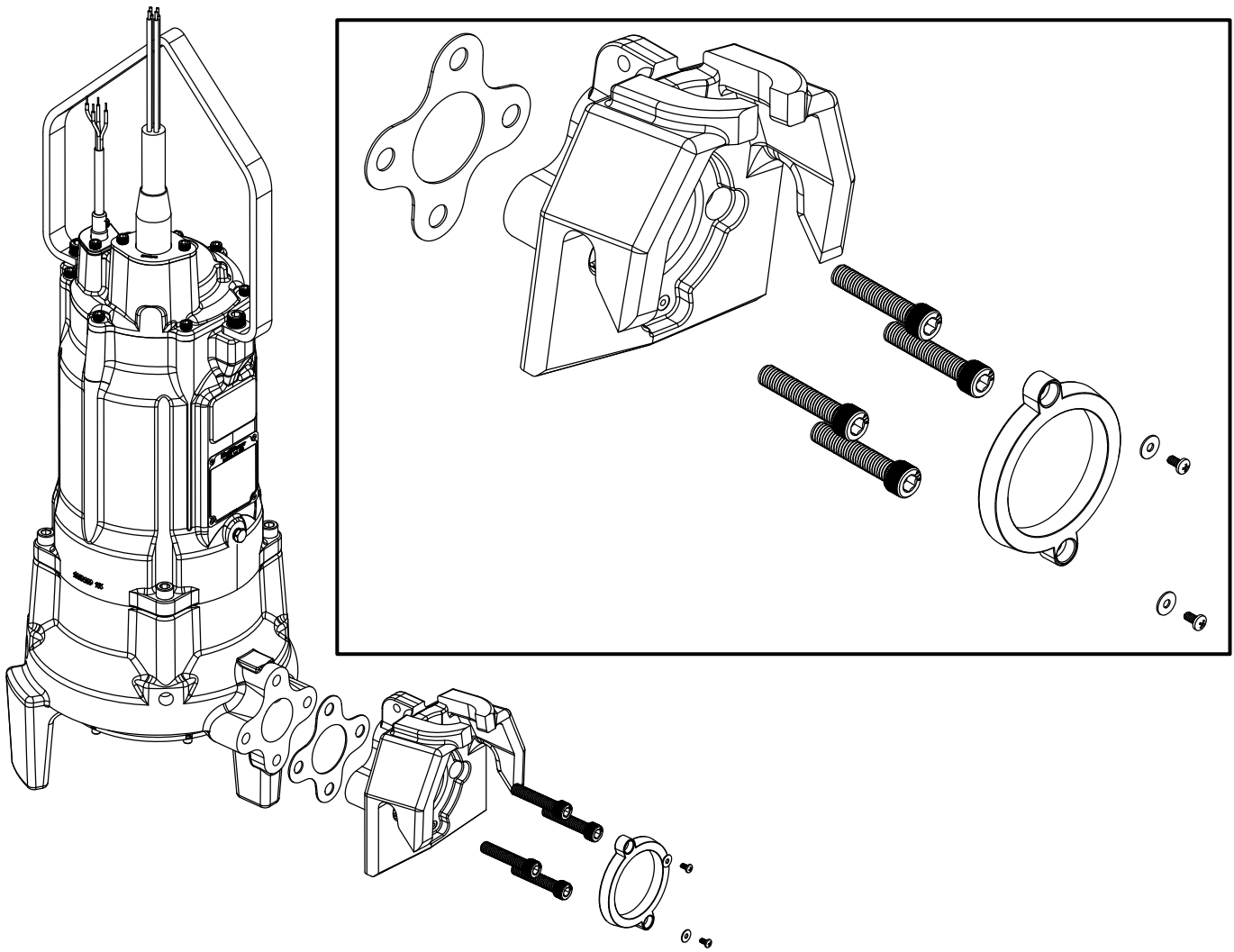


Product Specification

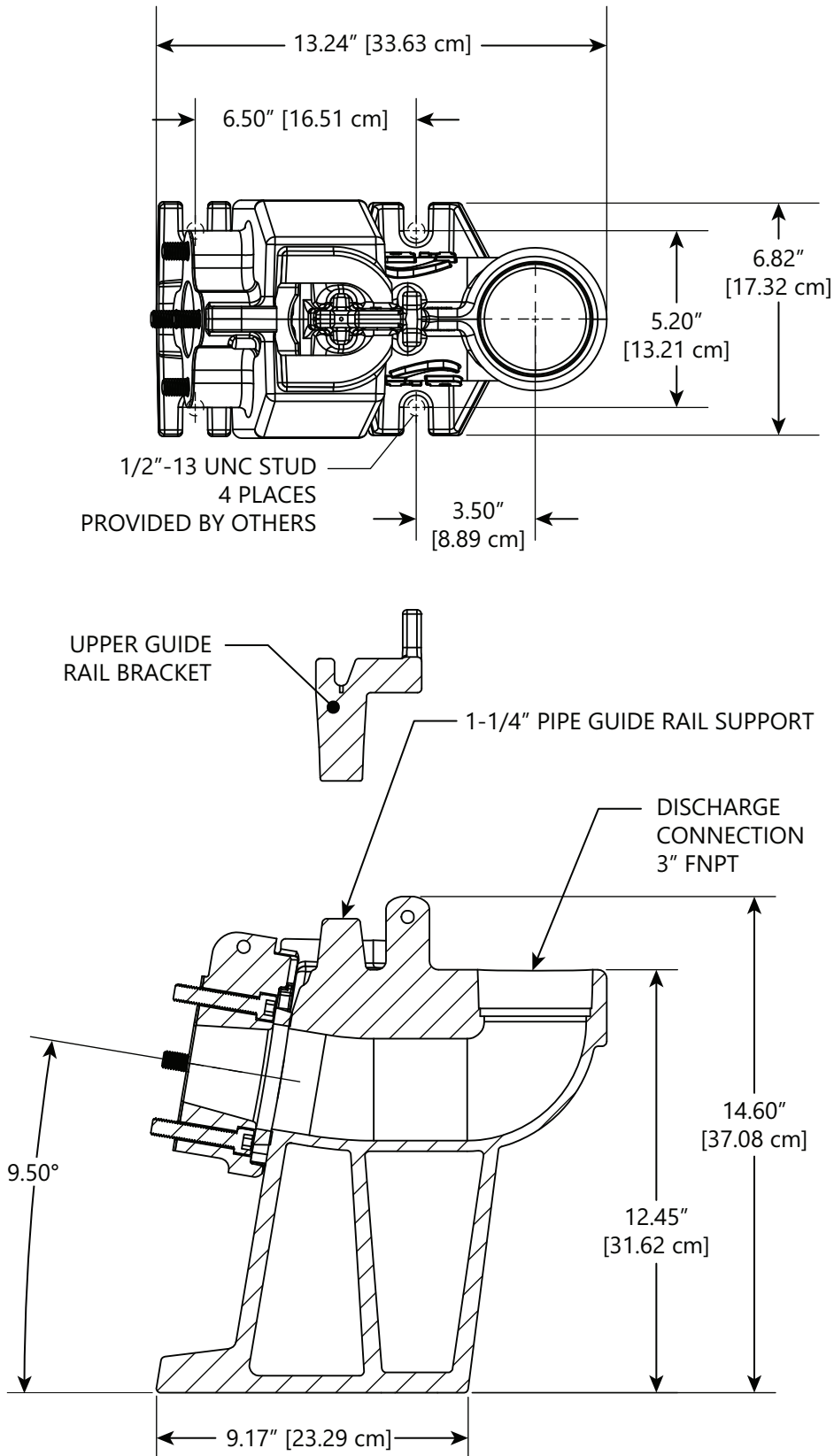
GR30-C-Series Guide Rail System 3" Discharge Guide Rail System



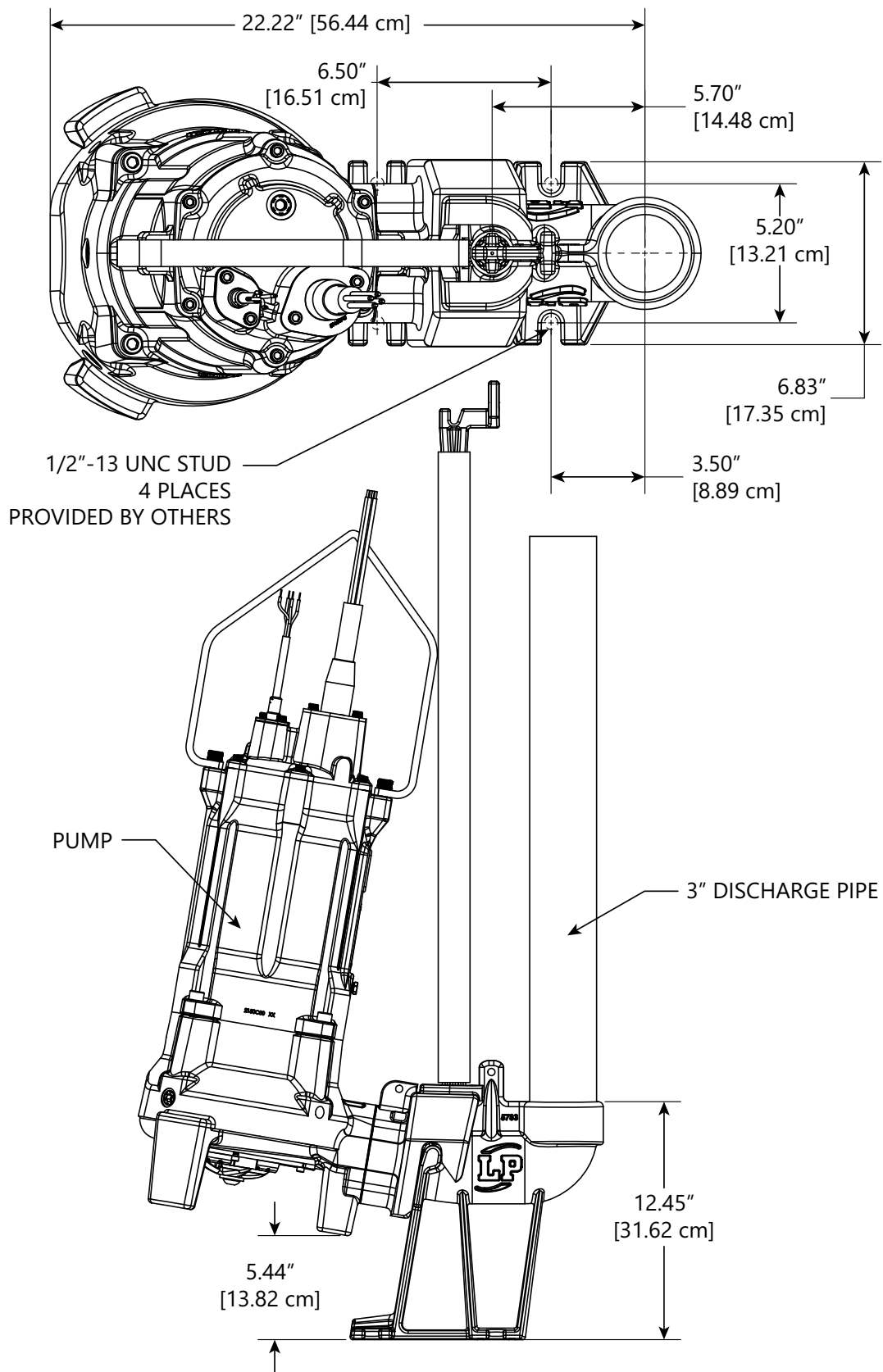
GR30-C-Series



GR30-C-Series Dimensional Data



GR30-C-Series Dimensional Data



GR30-C-Series Technical Data

MODEL	GR30-C FOR ORDINARY LOCATION APPLICATIONS
GUIDE RAIL BASE	CLASS 25 GRAY CAST IRON
DISCONNECT	CLASS 30 GRAY CAST IRON
GUIDE RAIL	ACCEPTS STANDARD 1-1/4" PIPE <i>(pipe not included)</i>
DISCHARGE PIPE	ACCEPTS STANDARD 3" NPT PIPE <i>(pipe not included)</i>
PAINT	POWDER COAT
HARDWARE	STAINLESS STEEL
SEALING GROMMET	BUNA-N
PUMP INTERFACE	COMBO VOLUTE MODELS: LGV03, LGH03, LGV05, LGH05, LGV07, LGH07 <i>(built after date code of 05/01/2024 with configuration code C30 and later)</i>
	MODELS: LSGV300, LSGV500, LSGH300 LSGH500
MAXIMUM PUMP WEIGHT	136 KG / 300 LBS